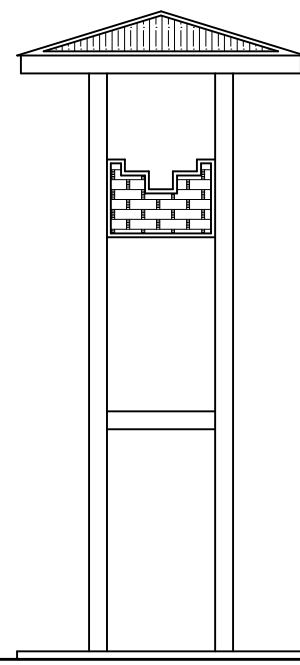
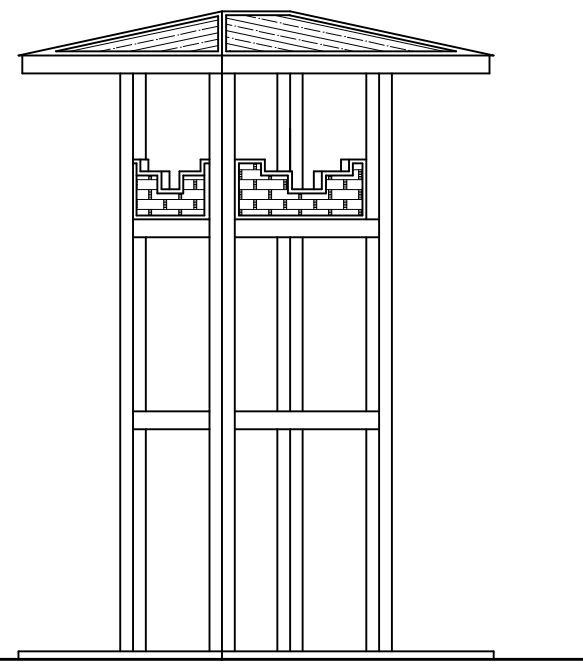


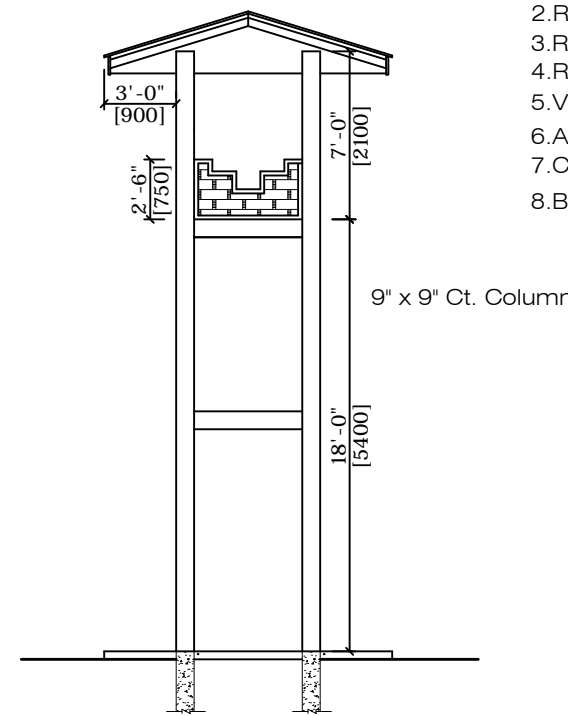
FRONT ELEVATION



SIDE ELEVATION

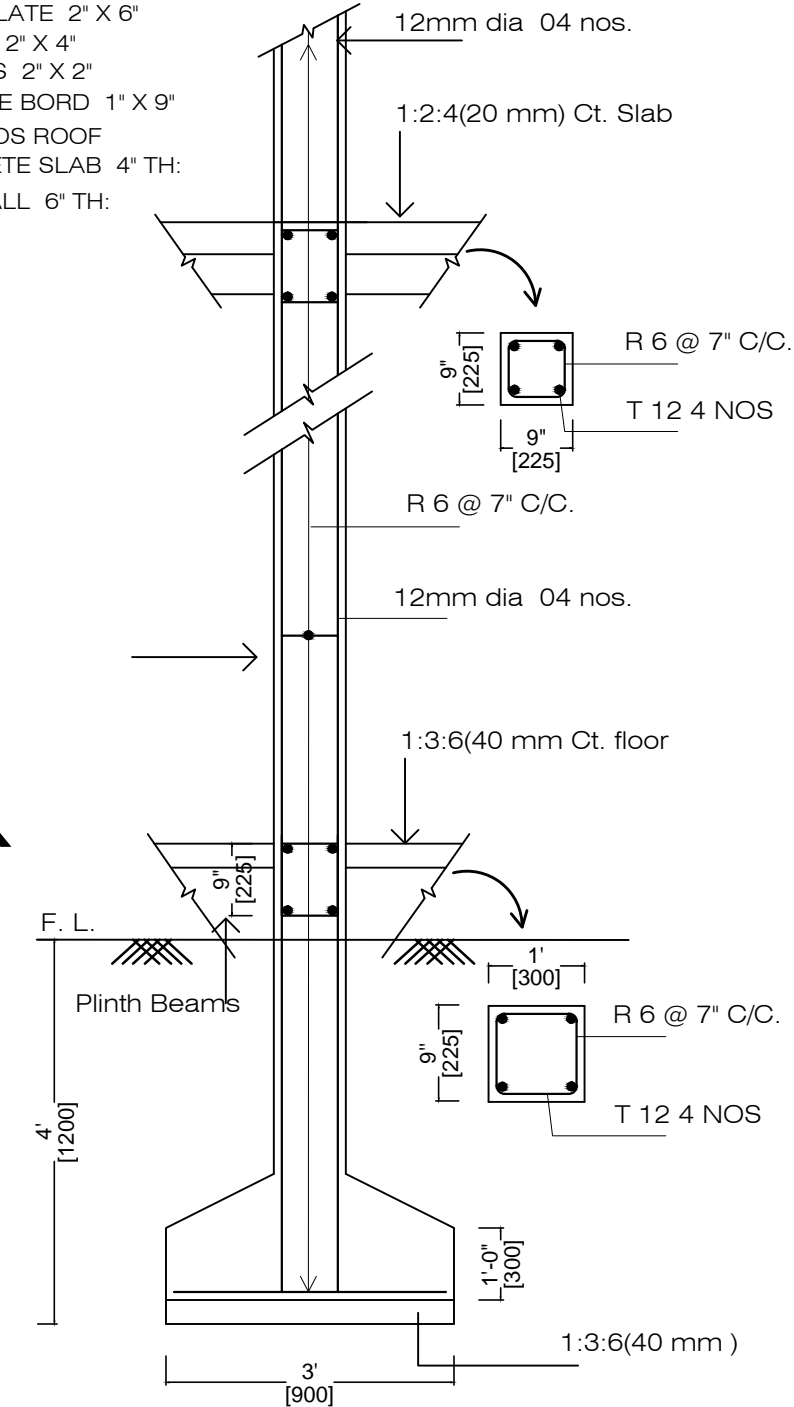


ISOMETRIC ELEVATION



SECTIONAL ELEVATION - A-A

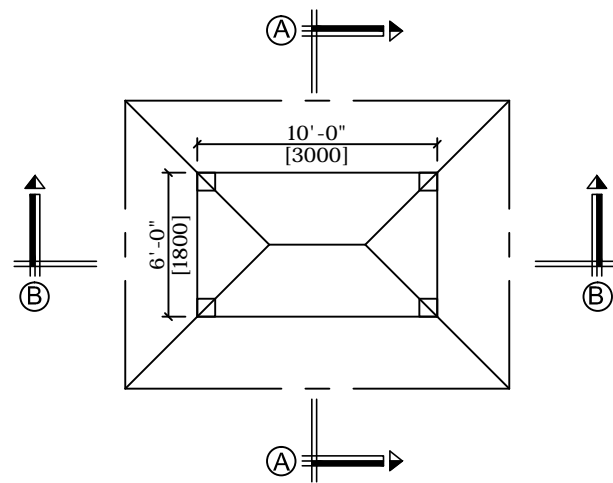
- 1.WALL PLATE 3" X 4"
- 2.RIDGE PLATE 2" X 6"
- 3.RAFTER 2" X 4"
- 4.REEPERS 2" X 2"
- 5.VALANCE BORD 1" X 9"
- 6.ASBESTOS ROOF
- 7.CONCRETE SLAB 4" TH:
- 8.BRIC WALL 6" TH:



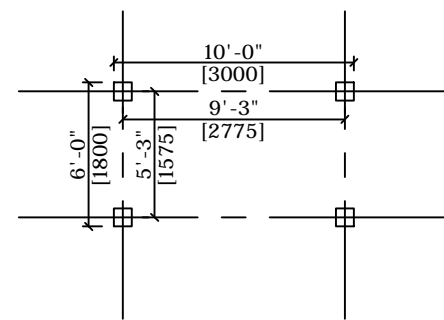
DETAILS OF FOUNDATION

Y 12 @ 7" C/C BOOTH WAYS

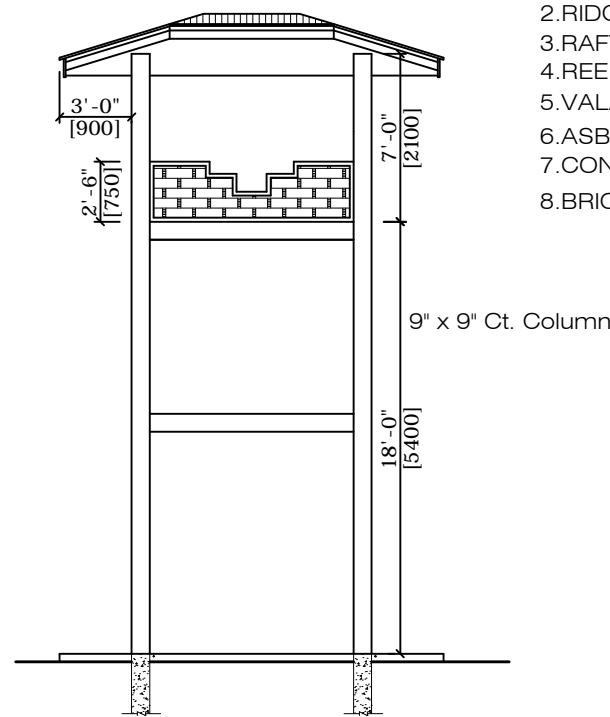
Scale: 8 Feet to an Inch



FLOOR PLAN

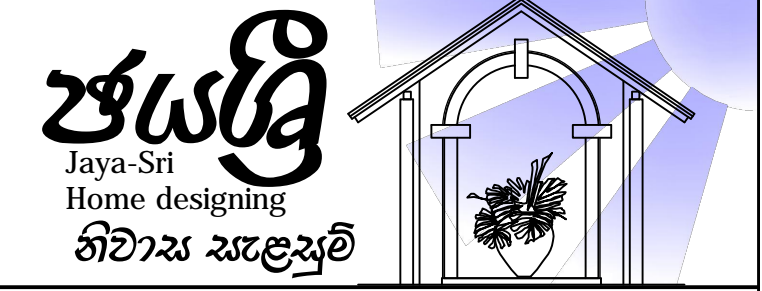


FOUNDATION LAYOUT PLAN



SECTIONAL ELEVATION - B-B

- 1.WALL PLATE 3" X 4"
- 2.RIDGE PLATE 2" X 6"
- 3.RAFTER 2" X 4"
- 4.REEPERS 2" X 2"
- 5.VALANCE BORD 1" X 9"
- 6.ASBESTOS ROOF
- 7.CONCRETE SLAB 4" TH:
- 8.BRIC WALL 6" TH:



Jaya-Sri Home Designing
Near the chandrika wewa,
Halmilla Ketiya, Thunkama,
Embilipitiya

Tp. 071 805 9009

e-mail: jayasrihplan@gmail.com

Reg. No: R/EMB/03451

Client :-
PROPOSED WATER TANK
FOR "SITH SEWANA"
MENTALLY HANDICAPPED
HANDICAPPED CHILDREN
DEVELOPMENT SOCIETY
AT TANAMALWILA.

Signature of Applicant :-
.....

Designing & Drawn. :-
Jayantha Ruwan Pathirana
(D' man, NCT (civil, Qs))

sig. :-.....

Date :-2016 -09-04

Scale :-
Eight feet to an inch
Two feet to an inch

Dra. No :- Jaya-Sri 2016/08/001